



PROTECTION RELAYS

N-DIN-TO64-V

D.C. current and voltage relay with high sensitivity hall effect transducer

The relay N-DIN-TO64 connected to the magnetic detector TO64 allows for very accurate measurement of DC current on a rated current of over 1000A. The operation of the relay can be unidirectional or bidirectional. The rated insulation voltage of the magnetic detector TO64 is over 5kV (dielectric test voltage 10kV-50Hz 1 min or 15kV on request).

The N-DIN relay has been conceived to obtain the most efficient space/performance as well as cost/performance ratio. The N-DIN relay is surface mounted on standard DIN-EN 50022 rail, but its Front-Face Panel (FFP) including Controls, Signals and Display, is removable and can be flush mounted, apart from the Relay Main Body (RMB), on the front panel of the switch board or of the MCC drawers. When removed, the FFP is connected to the RMB via a dedicated serial link by a normal wire and screw terminals.

One FFP only can control and supervise up to 31 RMB units. Another RS232 port is available on the FFP front for local connection to a PC.

Similarly the RMB, besides the Serial Port connecting the FFP, has another RS485 serial port, with screw terminals, for connection to the serial bus of the DCS. The relay main body RMB can be used as a stand-alone unit, without the front panel FFP.

Protective Functions

- F64 : Earth fault protection element
- F45 : Overvoltage D.C. protection with a.c. filter.
- F59 : Overvoltage A.C. protection with c.c. filter.

Measurements

- Measurement of input earth current (Primary Ampere).



MICROELETTRICA

Control

- 2 Programmable output relay (R1, R2).
As option instead of the relay R1 is possible to have an 4-20mA (0-12) mA output.
- Load Profile.
- Operation counters.
- Event recording.
- 3 Digital Inputs.
(Reset, Remote trip / C/B status, Blocking input)

Technical Characteristics

FFP

- Display 2x16 characters.
- 4 signal leds.
- 4 push-button.

RMB

- 2 signal led.
- 1 Reset button.

Communications

FFP

- 1 RS232 serial port (front)
- 1 RS485 serial port (rear)

RMB

- 1 RS485 port for connection to the communication serial bus.
- 1 RS485 port for communication to the Front Face Panel. (FFP Option).
- Communication protocol is MODBUS-RTU for all the Ports.

Power Supply Ratings

- Type 1 : 24V(-20%) / 80V(+15%) a.c. - 24V(-20%) / 90V(+20%) d.c.
- Type 2 : 80V(-20%) / 230V(+15%) a.c. - 90V(-20%) / 250V(+20%) d.c.

Mounting

- DIN46227 (EN50022)

Software

- MCom program interface for device management.

F64 (I>): First overcurrent element

Function enabling	Enable/Disable	
Setting range	$I > = (4 \div 100)\%I_n$	step 1% I_n
Instantaneous output	$\leq 0.03s$	
Independent time delay	$tI > = (0.03 \div 60)$	step 0.01s
Trip detection	Bidirectional / Positive / Negative	

F64 (I>>): Second overcurrent element

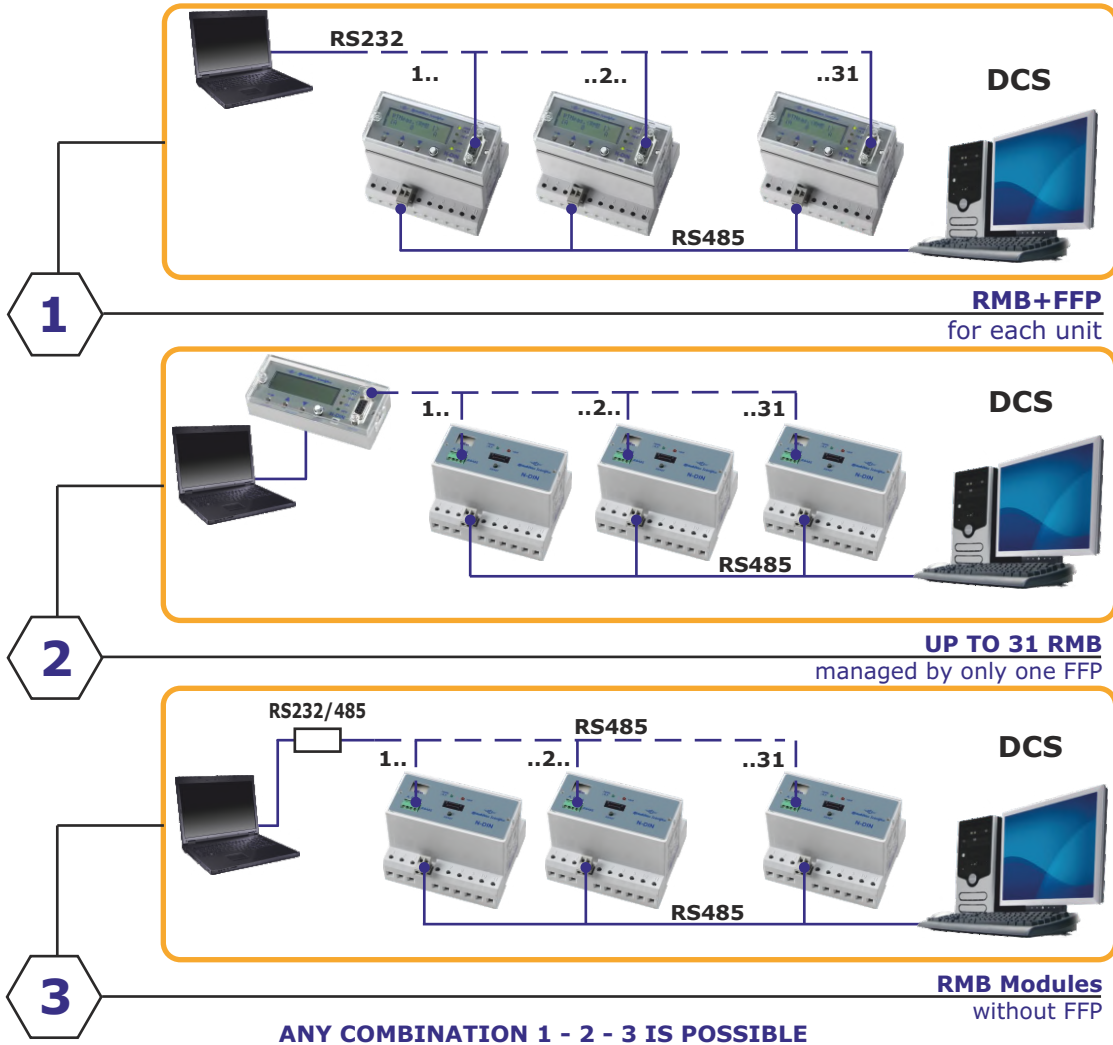
Function enabling	Enable/Disable	
Setting range	$I > = (4 \div 100)\%I_n$	step 1% I_n
Instantaneous output	$\leq 0.03s$	
Independent time delay	$tI > = (0.03 \div 60)$	step 0.01s
Trip detection	Bidirectional / Positive / Negative	

F59 (V_{ac}): Elemento di massima tensione c.a. insensibilizzato alla c.c.

Function enabling	Enable/Disable	
Setting range	$V_{ca} = (40 \div 170)V_{ca}$	step 1V _{ca}
Instantaneous output	$\leq 0.03s$	
Independent time delay	$tV_{ca} = (0 \div 60)$	step 0.01s

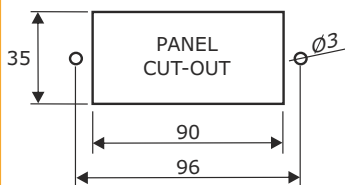
F45 (V_{cc}): Elemento di massima tensione c.c. insensibilizzato alla c.a.

Function enabling	Enable/Disable	
Setting range	$V_{cc} = (40 \div 170)V_{cc}$	step 1V _{cc}
Instantaneous output	$\leq 0.03s$	
Independent time delay	$tV_{ca} = (0 \div 60)$	step 0.01s



TRANSPARENT COVER - Dimensions = 45x108 - Height = 9

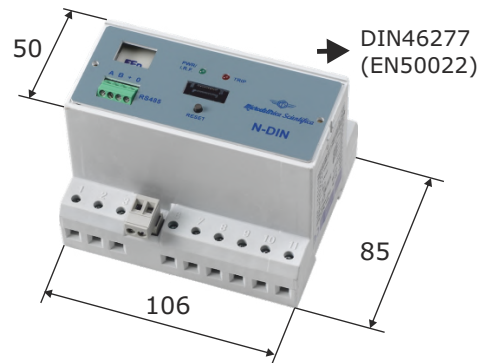
REMOVABLE
FRONT FACE
(FFP)

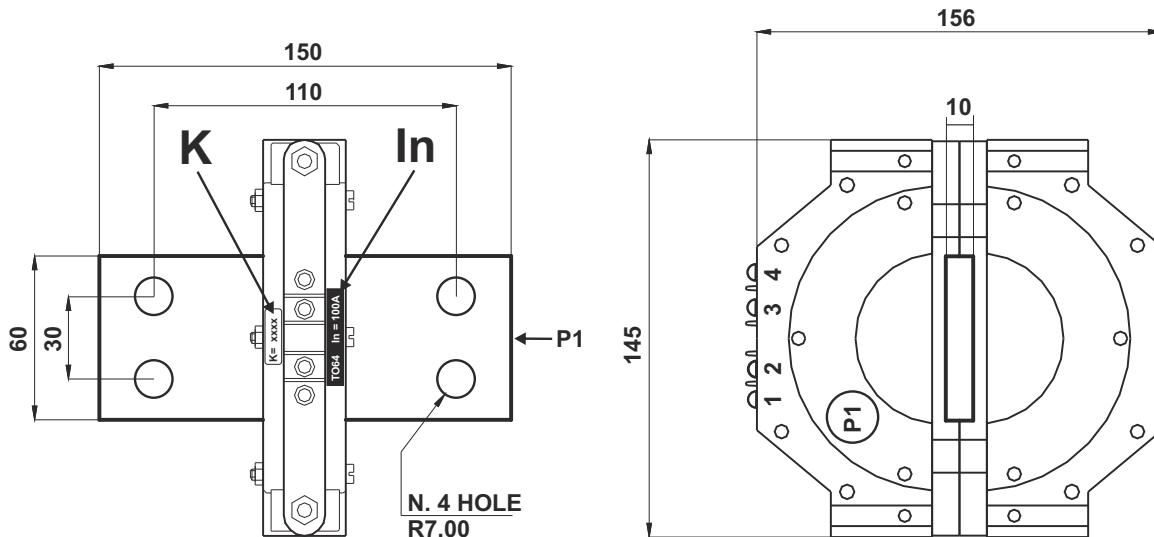


FFP - Height = 16



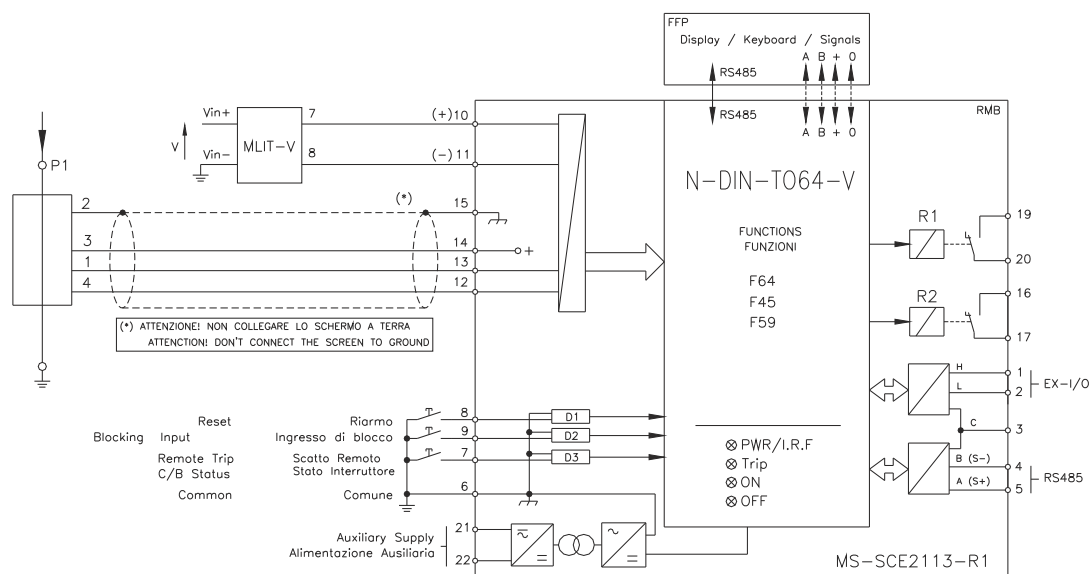
RMB - Height = 72





G31-ING-Rev.04

Wiring Diagram



Typical characteristics - N-DIN

Accuracy at reference value of influencing factors	5%	for measurement with max 1% of FS
	2% ± 10ms	for times
Input	from magnetic detector TO64	
Average power supply consumption	≤ 10 VA	
Output current	ating 6 A; Vn = 250V A.C. resistive switching = 1500W (400V max)	
	make = 30 A (peak) 0.5 sec., break = 0.3 A, 110 Vcc, L/R = 40 ms (100.000 op.)	
	L/R = 40 ms (100.000 op.)	
In option to relay R1	4 ÷ 20mA (0 ÷ 12)mA	

Typical characteristics - Magnetic Detector

Frequency response				0 ÷ 100 kHz		
Maximum distance „Relay/magnetic detector“				<10 meters (shielded cable)		
Type	In (A) Rated Input Current	(*) Ith (A) Max. admissible continuous overload	Vn (Vcc) Rated Input Voltage	Measurement Range (A)	Dielectric withstand Voltage 1'@50Hz (kV)	Maximum Dynamic Current (kA per 1s)
TO64 - 100	100	1000	1000	4 ÷ 100	10	100
TO64 - 500	500	1000	1000	20 ÷ 500	10	100
TO64 - 100H	100	1000	5000	4 ÷ 100	18.5	100
TO64 - 500H	500	1000	5000	20 ÷ 500	18.5	100

(*) on request other value

Order Code - Example

N-DIN-TO64	1	1
	Power Supply	Options
	1 = Type 1	1 = Standard (RMB+FFP)
	2 = Type 2	2 = Only RMB
		3 = Only FFP

The technical specifications reported are not binding and they should be agreed in the contract.

For further technical information on our products visit www.microelettrica.com

Microelettrica Scientifica S.p.A.

20090 Buccinasco (MI) , Via Lucania 2, Italy

Tel.: +39 02 575731

E-mail: info@microelettrica.com

www.microelettrica.com



 **KNORR-BREMSE**

 **NEW YORK AIR BRAKE**

 **IFE**

 **MERAK**

 **MICROELETRICA**

 **SELECTRON**

 **KIEPE ELECTRIC**

 **EVAC**

 **ZELISKO**

 **RAILSERVICES**