



SWITCHES

STANDARD FAMILY CODE N0003000P3A01

Type	N 3000
Number of Poles	3 NO
Connection between poles	None
Mounting Position	Vertical
Control Voltage Rating U_c [Vdc]	110Vdc/Vac - 220Vdc/Vac ¹
Auxiliary Contact Blocks	5 NO + 5 NC
Block Type	B
Arc chute Material	Ceramic in plastic shells
Main Contacts tips Material	S6
Arcing Contacts tips Material	S8
Electric Diagram	TU0165/B (DC) - TU0165/C (AC)
Layout Drawing	D53583

¹ To be specified in order phase.



MICROELETTRICA

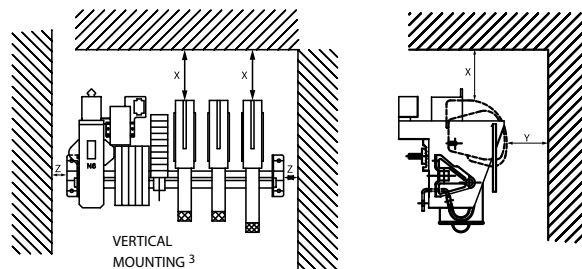
Description

Contactors with single interruption in air, electromagnetic control by power save system (economy resistor).
Typical application 3 Phase AC Motor control. Reference Standard IEC 60947-4-1.

Electrical Characteristics				
Rated Operational Voltage U_e [Vac]	220	380	600	690
Rated Insulation Voltage U_i [Vac]	1000			
Conventional Free air thermal current I_{th} [at 40°C] ²	3000			
Conventional Free air thermal current I_{th} [at 60°C] ²	2650			
Maximum Making Capacity for 100 ms I_{ch} [kA]	35			
Short Circuit Withstand Current for 100 ms I_{cw} [kA]	40			
Average impedance per pole at 50 Hz [MicroOhm]	150			
Blow out circuit type	Indirect with arcing contact			
Electrical Characteristics 3NO pole (S6) for AC application				
Rated Operational Voltage U_e [Vac]	220	380	600	690
Maximum Breaking Capacity $\cos\Phi=0,5$ I_{acmax} [A]	51818	30000	17250	15000
Utilization Category according to IEC60947-4-1: AC1&AC2&AC3				
Max Operational Power P_e [kW]	720	1250	1900	1900
Max Operational Making and breaking Current I_e [A]	2500	2500	2500	1990
Utilization Category according to IEC60947-4-1: AC4				
Max Operational Power P_e [kW]	660	1140	1530	1530
Max Operational Making and breaking Current I_e [A]	2250	2250	2250	1602
Exceptional Maximum Breaking Capacity @ 1000Vac $\cos\Phi=0,5$ [A]	10000			

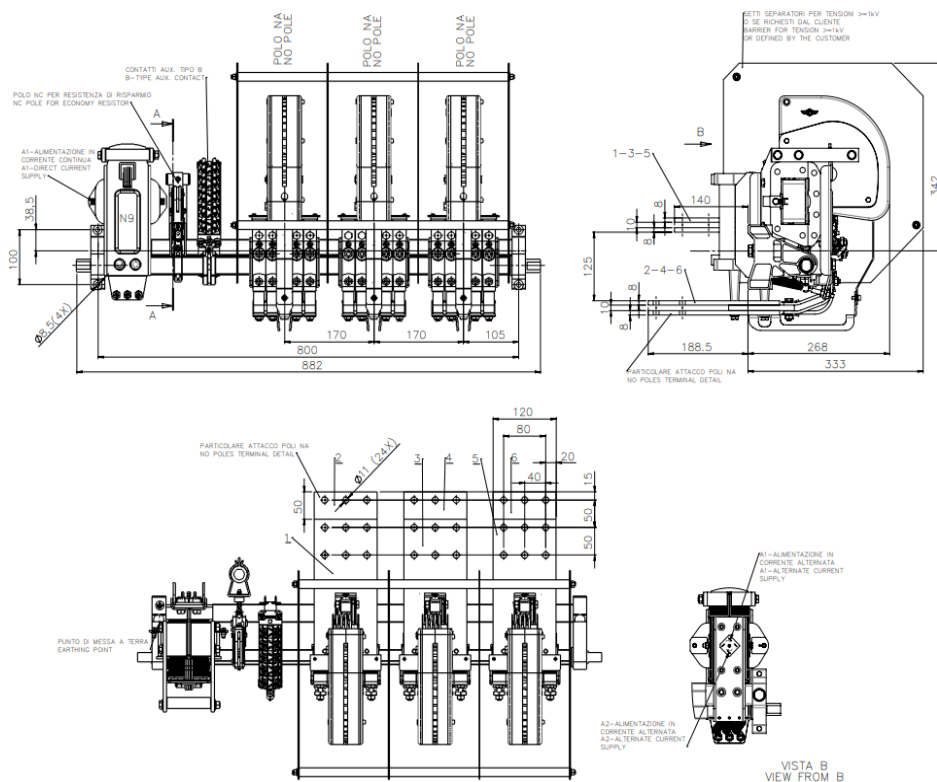
² Device cabled according IEC 60947 ³ Other mounting positions not allowed

Minimum clearances [mm] from:				
Rated Insulation Voltage		X	Y	Z
1000	Metal Parts	100	50	30
	Plastic Parts	50	30	20



Mechanical Characteristics	
Mechanical Endurance (cycles) ⁴	1x10 ⁶
Weight [kg]	98
Control Circuit	
Control Voltage Range	0.85U _c ÷ 1.1U _c
Power Consumption (U _c and T = 20°C) at Closing - at Opening [W]	1500-80
Mechanical Operation Time (U _c and T = 20°C) when Closing - Opening [ms]	110-15
Mechanical Operation Time (in the worst condition) when Closing - Opening [ms]	450-20
Time Constant (L/R) at Pick Up - when Holding [ms]	
Electrical Connections	Fast-On 6.35x0.8mm
Auxiliary Contacts	
Tips material	Solid Silver
Rated Operational Voltage [V _{ac} / V _{dc}]	250
Rated Current [A]	10
Minimum Switching Current at 16V _{dc} [mA] ⁵	100
Electrical Connections	Fast-On 6.35x0.8mm
Environmental Conditions	
Stock Temperature Range	-25°C ÷ +60°C
Operational Temperature Range	-5°C ÷ +55°C
Max Altitude without Performance Derating [m]	2000

⁴ With respect of the maintenance operations ⁵ In clean and dry conditions



The technical specifications reported are not binding and they should be agreed in the contract.

For further technical information on our products visit www.microelettrica.com

Microelettrica Scientifica S.p.A.

20090 Buccinasco (MI) , Via Lucania 2, Italy

Tel.: +39 02 575731

E-mail: info@microelettrica.com

www.microelettrica.com



KNORR-BREMSE



SELECTRON



NEW YORK AIR BRAKE



KIEPE ELECTRIC



IFE



EVAC



MERAK



ZELISKO



MICROELETTICA



RAILSERVICES