

SWITCHES

STANDARD FAMILY CODE N0003000P2A01

Type	N 3000
Number of Poles	2 NO
Connection between poles	Series ¹
Mounting Position	Vertical
Control Voltage Rating Uc [Vdc]	110Vdc/Vac - 220Vdc/Vac ²
Auxiliary Contact Blocks	5 NO + 5 NC
Block Type	B
Arc chute Material	Ceramic in plastic shells
Main Contacts tips Material	S6
Arcing Contacts tips Material	S8
Electric Diagram	TU0165/B (DC) - TU0165/C (AC)
Layout Drawing	D53582

¹ Series bar connections available under request

² To be specified in order phase.



MICROELETTRICA

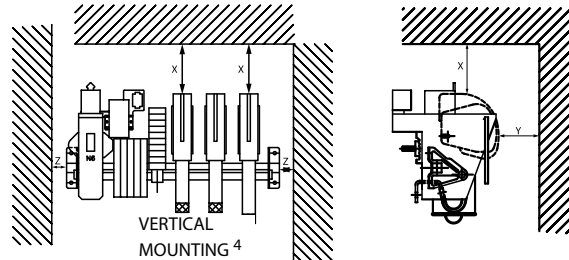
Description

Contactors with single interruption in air, electromagnetic control by power save system (economy resistor).
 Typical application DC Motor control. Reference Standard IEC 60947-4-1.

Electrical Characteristics					
Rated Operational Voltage Ue [Vdc]	220	440	660	750	1000
Rated Insulation Voltage Ui [Vdc]	1000				
Conventional Free air thermal current Ith [at 40°C] ³	3000				
Conventional Free air thermal current Ith [at 60°C] ³	2650				
Maximum Making Capacity for 100 ms Ich [kA]	35				
Short Circuit Withstand Current for 100 ms Icw [kA]	40				
Average impedance per pole at 50 Hz [MicroOhm]	150				
Blow out circuit type	Indirect with arcing contact				
Electrical Characteristics 2NO poles series connected (S6) for DC application					
Rated Operational Voltage [Vdc]	220	440	660	750	1000
Maximum Breaking Capacity tau=15ms Idcmax [A]	35000	25000	18000	15840	11880
Utilization Category according to IEC60947-4-1: DC3					
Rated Operational Power Pe [kW]	660	1320	1980	2250	2500
Rated Operational Current Ie [A]	3000	3000	3000	3000	2500
Utilization Category according to IEC60947-4-1: DC5					
Rated Operational Power Pe [kW]	660	1320	1688	1688	0
Rated Operational Current Ie [A]	3000	3000	2557	2250	0

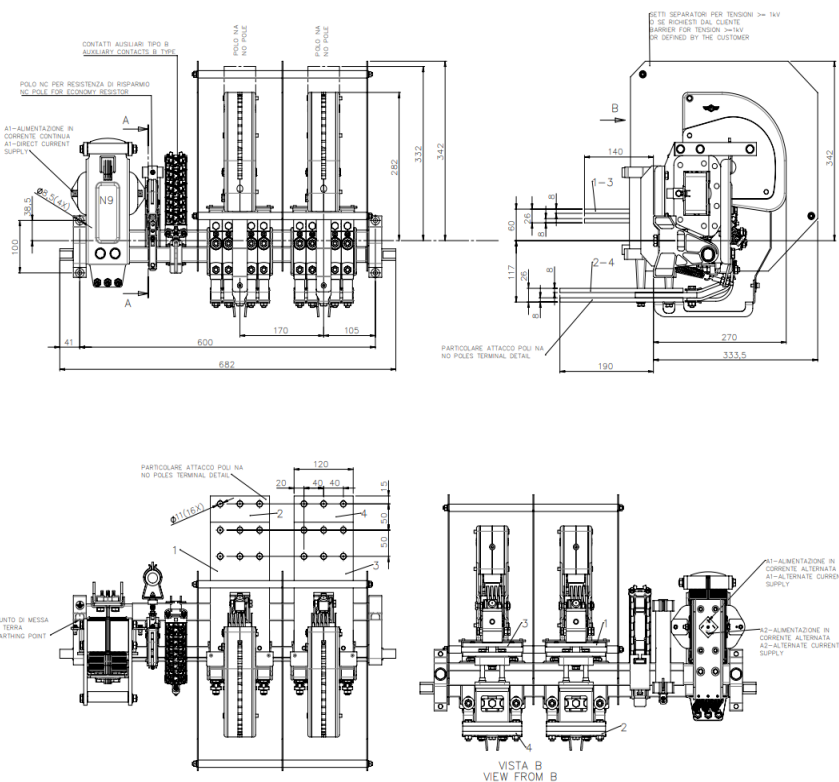
³ Device cabled according IEC 60947 ⁴ Other mounting positions not allowed

Minimum clearances [mm] from:				
Rated Insulation Voltage	X	Y	Z	
1000	Metal Parts	100	50	30
	Plastic Parts	50	30	20



Mechanical Characteristics	
Mechanical Endurance (cycles) ⁵	1x10 ⁶
Weight [kg]	70
Control Circuit	
Control Voltage Range	0.85U _c ÷ 1.1U _c
Power Consumption (U _c and T = 20°C) at Closing - at Opening [W]	1500-80
Mechanical Operation Time (U _c and T = 20°C) when Closing - Opening [ms]	110-15
Mechanical Operation Time (in the worst condition) when Closing - Opening [ms]	450-20
Time Constant (L/R) at Pick Up - when Holding [ms]	
Electrical Connections	Fast-On 6.35x0.8mm
Auxiliary Contacts	
Tips material	Solid Silver
Rated Operational Voltage [V _{ac} / V _{dc}]	250
Rated Current [A]	10
Minimum Switching Current at 16V _{dc} [mA]t ⁶	100
Electrical Connections	Fast-On 6.35x0.8mm
Environmental Conditions	
Stock Temperature Range	-25°C ÷ +60°C
Operational Temperature Range	-5°C ÷ +55°C
Max Altitude without Performance Derating [m]	2000

⁵ With respect of the maintenance operations ⁶ In clean and dry conditions



The technical specifications reported are not binding and they should be agreed in the contract.

For further technical information on our products visit www.microelettrica.com

Microelettrica Scientifica S.p.A.

20090 Buccinasco (MI) , Via Lucania 2, Italy

Tel.: +39 02 575731

E-mail: info@microelettrica.com

www.microelettrica.com

