

SWITCHES

STANDARD FAMILY CODE N000650P1B01

Type	N 650
Number of Poles	1 NC
Connection between poles	None
Mounting Position	Vertical
Control Voltage Rating U_c [Vdc]	110Vdc/Vac - 220Vdc/Vac
Auxiliary Contact Blocks	5 NO + 5 NC
Block Type	B
Arc chute Material	Ceramic in Plastic Shells
Main Contacts tips Material	S6
Arcing Contacts tips Material	-
Electric Diagram	TU0165/B (DC) - TU0165/C (AC)
Layout Drawing	D53549

¹ To be specified in order phase.



MICROELETTRICA

Description

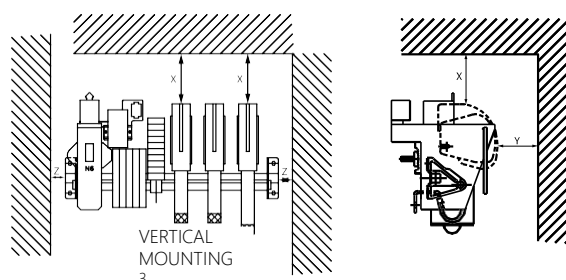
Contactors with single interruption in air, electromagnetic control by power-save system (economy resistor). Typical application control of all type of motor for standard or severe duty application. Control of resistive, inductive and capacitive circuits: heating, lighting, $\cos\Phi$ rectification, normal stand-by. Reference Standard IEC 60947-4-1.

Electrical Characteristics				
Rated Operational Voltage U_e [Vac/Vdc]	220	380	440	600
Rated Insulation Voltage U_i [Vdc]	1000			
Conventional Free air thermal current I_{th} [at 40°C] ²	650			
Conventional Free air thermal current I_{th} [at 60°C] ²	570			
Maximum Making Capacity for 100 ms I_{ch} [kA]	7			
Short Circuit Withstand Current for 100 ms I_{cw} [kA]	9			
Average impedance per pole at 50 Hz [$\mu\Omega$]	450			
Blow out circuit type	Direct			
Electrical Characteristics 1NC pole (S6) for DC application				
Rated Operational Voltage [Vdc]	220	380	440	600
Maximum Breaking Capacity $\tau=15ms$ I_{dcmax} [A]	2500	1450	1250	1000
Utilization Category according to IEC60947-4-1: DC1&DC3				
Max Operational Making Current [A]	1200	695	600	440
Max Operational Breaking Current [A]	670	290	250	180
Electrical Characteristics 1NC pole (S6) for AC application				
Rated Operational Voltage [Vac]	220	380	440	600
Maximum Breaking Capacity $\cos\Phi=0,5$ I_{acmax} [A]	4000	2300	2000	1450
Utilization Category according to IEC60947-4-1: AC1&AC2&AC3				
Rated Power P_e [kW]	115	115	115	115
Rated Making and breaking Current I_e [A]	380	220	190	140
Utilization Category according to IEC60947-4-1: AC4				
Rated Power P_e [kW]	95	95	95	95
Rated Making and breaking Current I_e [A]	310	180	155	115

² Device cabled according to IEC 60947

⁴ Other mounting positions not allowed

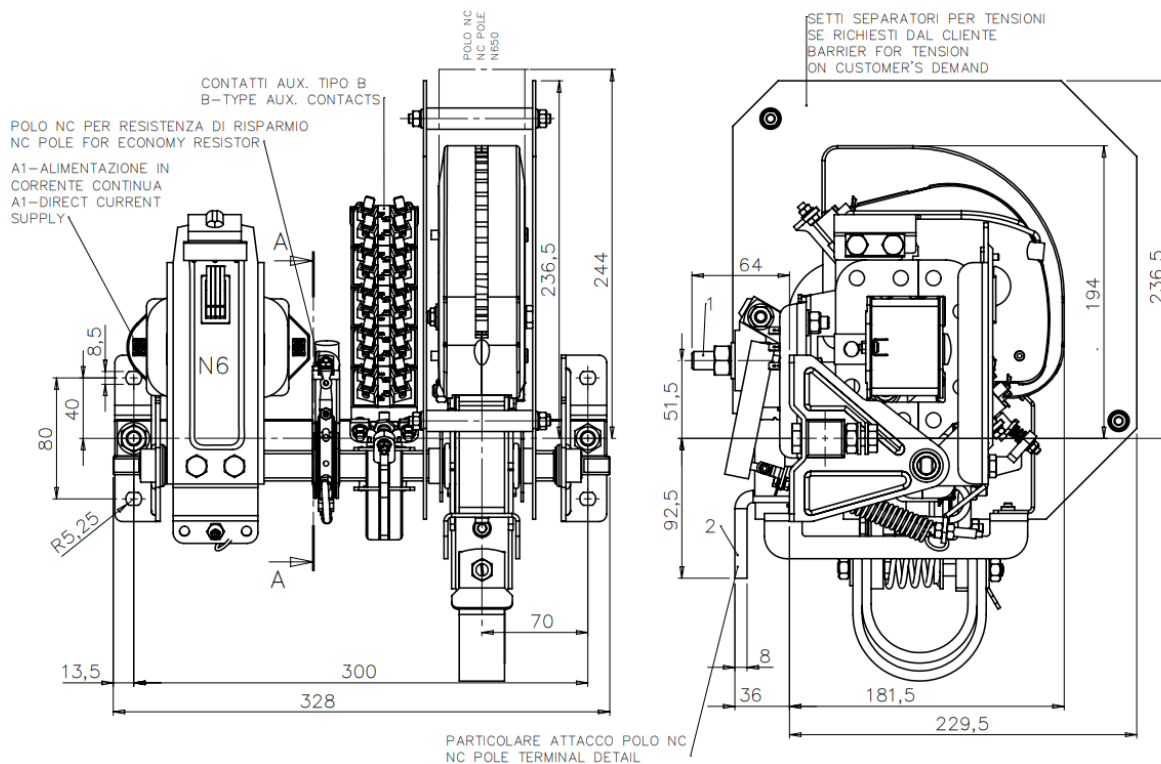
Minimum clearances [mm] from:				
Rated Insulation Voltage		X	Y	Z
1000	Metal Parts	100	50	30
	Plastic Parts	50	30	20



³ OTHER MOUNTING POSITIONS NOT ALLOWED

Mechanical Characteristics	
Mechanical Endurance (cycles) ⁴	1x10 ⁶
Weight [kg]	16.5
Control Circuit	
Control Voltage Range	0.85U _c ÷ 1.1U _c
Power Consumption (U _c and T = 20°C) at Closing - at Opening [W]	300-20
Mechanical Operation Time (U _c and T = 20°C) when Closing - Opening [ms]	70-20
Mechanical Operation Time (in the worst condition) when Closing - Opening [ms]	350-20
Electrical Connections	Fast-On 6.35x0.8mm
Auxiliary Contacts	
Tips material	Solid Silver
Rated Operational Voltage [V _{ac} / V _{dc}]	250
Rated Current [A]	10
Minimum Switching Current at 16V _{dc} [mA] ⁵	100
Electrical Connections	Fast-On 6.35x0.8mm
Environmental Conditions	
Stock Temperature Range	-25°C ÷ +60°C
Operational Temperature Range	-5°C ÷ +55°C
Max Altitude without Performance Derating [m]	2000

⁴With respect of the maintenance operations ⁵ In clean and dry conditions



The technical specifications reported are not binding and they should be agreed in the contract.

For further technical information on our products visit www.microelettrica.com

Microelettrica Scientifica S.p.A.

20090 Buccinasco (MI) , Via Lucania 2, Italy

Tel.: +39 02 575731

E-mail: info@microelettrica.com

www.microelettrica.com



KNORR-BREMSE

NEW YORK AIR BRAKE

IFE

MERAK

MICROELETRICA

SELECTRON

KIEPE ELECTRIC

EVAC

ZELISKO

RAILSERVICES