

SWITCHES

STANDARD FAMILY CODE N000125P2A00

Type	N 125
Number of Poles	2 NO
Connection between poles	Series ¹
Mounting Position	Vertical
Control Voltage Rating Uc [Vdc]	110Vdc/Vac - 220Vdc/Vac ²
Auxiliary Contact Blocks	5 NO + 5 NC
Block Type	B
Arc chute Material	Plastic shells
Main Contacts tips Material	S6
Arcing Contacts tips Material	-
Electric Diagram	TU0165/B (DC) - TU0165/C (AC)
Layout Drawing	D50647

¹ Series bar connections available under request

² To be specified in order phase.



MICROELETTRICA

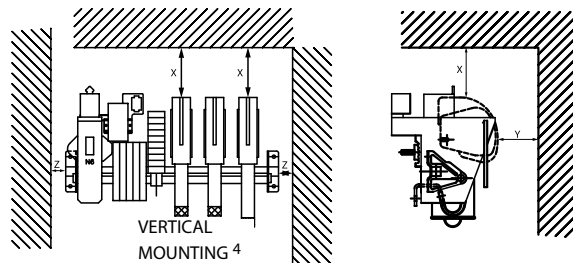
Description

Contactors with single interruption in air, electromagnetic control by power save system (economy resistor).
 Typical application DC Motor control. Reference Standard IEC 60947-4-1.

Electrical Characteristics					
Rated Operational Voltage Ue [Vdc]	220	440	660	750	1000
Rated Insulation Voltage Ui [Vdc]	1000				
Conventional Free air thermal current Ith [at 40°C] ²	125				
Conventional Free air thermal current Ith [at 60°C] ²	110				
Maximum Making Capacity for 100 ms I _{ch} [kA]	2,5				
Short Circuit Withstand Current for 100 ms I _{cw} [kA]	3				
Average impedance per pole at 50 Hz [MicroOhm]	1200				
Blow out circuit type	Direct				
Electrical Characteristics 2NO poles series connected (S6) for DC application					
Rated Operational Voltage [Vdc]	220	440	660	750	1000
Maximum Breaking Capacity tau=15ms I _{dcmax} [A]	2500	1500	1000	880	660
Utilization Category according to IEC60947-4-1: DC3					
Rated Operational Power P _e [kW]	27,5	55	82,5	93,8	110
Rated Operational Current I _e [A]	125	125	125	125	110
Utilization Category according to IEC60947-4-1: DC5					
Rated Operational Power P _e [kW]	27,5	55	71	71	0
Rated Operational Current I _e [A]	125	125	108	95	0

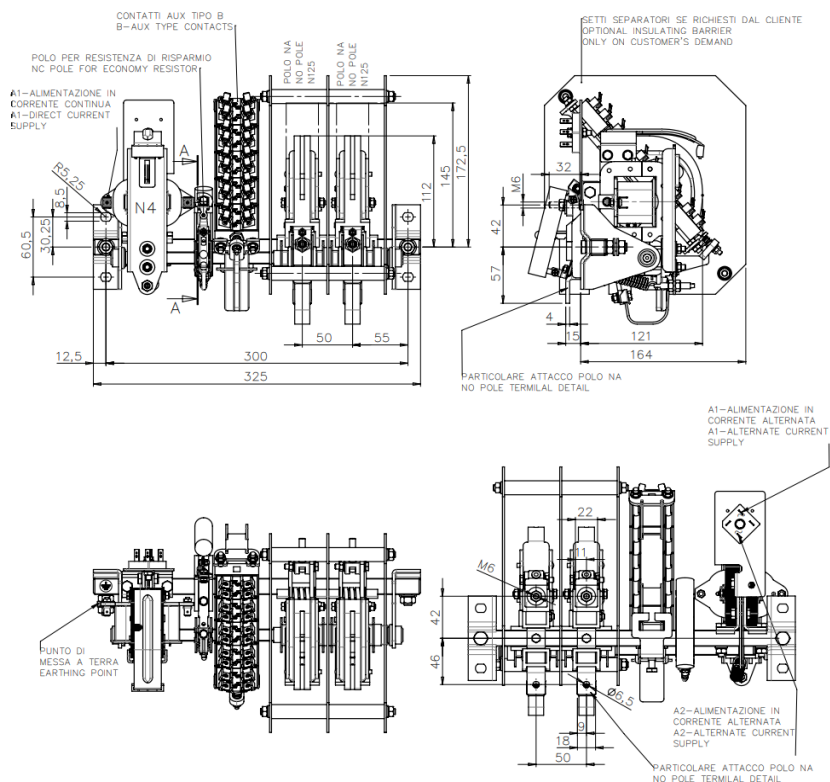
³ Device cabled according IEC 60947 ⁴ Other mounting positions not allowed

Minimum clearances [mm] from:				
Rated Insulation Voltage	X	Y	Z	
1000	Metal Parts	100	50	30
	Plastic Parts	50	30	20



Mechanical Characteristics	
Mechanical Endurance (cycles) ⁵	1x10 ⁶
Weight [kg]	4.5
Control Circuit	
Control Voltage Range	0.85U _c ÷ 1.1U _c
Power Consumption (U _c and T = 20°C) at Closing - at Opening [W]	130-15
Mechanical Operation Time (U _c and T = 20°C) when Closing - Opening [ms]	50-15
Mechanical Operation Time (in the worst condition) when Closing - Opening [ms]	200-20
Time Constant (L/R) at Pick Up - when Holding [ms]	
Electrical Connections	Fast-On 6.35x0.8mm
Auxiliary Contacts	
Tips material	Solid Silver
Rated Operational Voltage [V _{ac} / V _{dc}]	250
Rated Current [A]	10
Minimum Switching Current at 16V _{dc} [mA] ⁵	100
Electrical Connections	Fast-On 6.35x0.8mm
Environmental Conditions	
Stock Temperature Range	-25°C ÷ +60°C
Operational Temperature Range	-5°C ÷ +55°C
Max Altitude without Performance Derating [m]	2000

⁵With respect of the maintenance operations ⁶In clean and dry conditions



The technical specifications reported are not binding and they should be agreed in the contract.

For further technical information on our products visit www.microelettrica.com

Microelettrica Scientifica S.p.A.

20090 Buccinasco (MI) , Via Lucania 2, Italy

Tel.: +39 02 575731

E-mail: info@microelettrica.com

www.microelettrica.com

