

# SWITCHES

## STANDARD FAMILY CODE LTXS 900 2NO 3kV

Family Type	LTXS 900
Number / Type of Poles	2 / NO
Mounting Position	Horizontal - Vertical <sup>1</sup>
Control Voltage Rating Uc (DC) [V]	24 - 36 - 48 - 72 - 110 <sup>1</sup>
Auxiliary Contact Blocks	2 x (1 NO + 1 NC)
Block Type	PBX
Arc-chute Material	Ceramic
Main Contacts Tips Material	S6
Arcing Contacts Tips Material	-
Electric Diagram	SC27599
Layout Drawing	D53522

<sup>1</sup> To be specified in order phase.



**MICROELETTRICA**

## Description

Contactors with single interruption in air, electromagnetic control by booster power save system. Single state functioning. Reference standard IEC 60077, IEC 60947 and IEC 61992.

Aux contacts available in all feasible position (a0, b0 and a1, b1).

Insulation Characteristics		
Rated Operational Voltage (AC / DC)	[V]	3600
Max Operational Voltage (AC / DC)	[V]	3900
Rated Insulation Voltage OV4/PD3A	[V]	3700
Rated Insulation Voltage OV3/PD3	[V]	4800
Rated Impulse Voltage	[kV]	30
Rated Power Frequency Withstand Voltage (50 Hz for 60 s)		
Between HV to LV Circuit + Earth	[V]	11600
Between Open Contacts	[V]	9200
Between Each Pole (if more than 1)	[V]	11600
Between LV Circuit and Earth	[V]	1500
Minimum Clearance Distance between Open Contacts	[mm]	65
Minimum Clearance Distance between Power Circuit to Earth	[mm]	40
Minimum Creepage Distance between Power Circuit to Earth	[mm]	80
Comparative Tracking Index (CTI) (IEC 60112)	[V]	600
Electrical Characteristics of single pole		
Conventional Free Air Thermal Current at 40 °C <sup>2</sup>	[A]	1050
Conventional Free Air Thermal Current at 75 °C <sup>2</sup>	[A]	900
DC - Rated Operational Current (τ = 15 ms)		
3600 V	[A]	750
DC - Maximum Breaking Capacity (τ = 15 ms)		
3600 V	[A]	1500
AC - Maximum Breaking Capacity (cosφ = 0,8; 50 Hz)		
3600 V	[A]	1800
Component Category / Operational Frequency Class		A2 / C2
Rated Short Time Withstand Current	[kA]	12/10 (for 50/100 ms)
Critical Current Range	[A]	None <sup>3</sup>
Fault Making Capacity	[kA]	12
Blow Out Circuit Type		Indirect Coil with permanent magnet

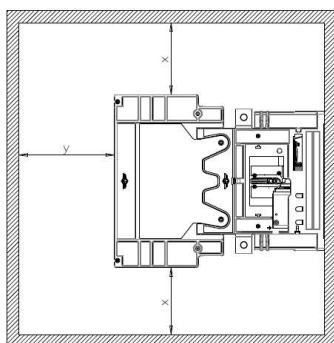
<sup>2</sup> Device cabled according IEC60947

<sup>3</sup> Tested according to IEC60077:2017

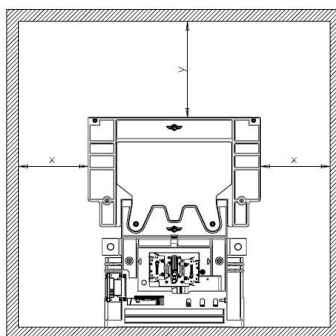
<sup>4</sup> Other mounting positions not allowed, reduced distances should be approved by Microelettrica

### Minimum clearances [mm] from:

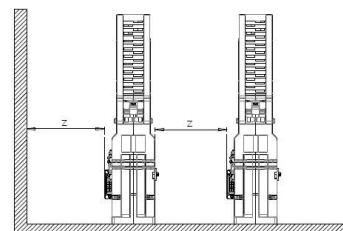
Rated Operational Voltage		X	Y	Z
3600 V	Metal Parts	200	80	50
	Plastic Parts	100	50	30



VERTICAL MOUNTING <sup>4</sup>



HORIZONTAL MOUNTING <sup>4</sup>



### Mechanical Characteristics

Mechanical Endurance	[cycles]	5 x 10 <sup>5</sup>
Shock and Vibrations (IEC 61373)		Cat.1 - Class B
Weight	[kg]	31

### Control Circuit

Control Voltage Range	[V]	0.7U <sub>c</sub> ÷ 1.25U <sub>c</sub>
Power Consumption (U <sub>c</sub> and T = 20 °C) at Pick Up - when Holding	[W]	315 - 20
Mechanical Operation Time (U <sub>c</sub> and T = 20 °C) when Closing - Opening	[ms]	300 - 40
Time Constant (L/R) at Pick Up - when Holding	[ms]	100 - 100
Electrical Connections		AMP 178803-7 16 PINS

### Auxiliary Contact

Rated Operational Voltage (AC / DC)	[V]	250
Conventional Free Air Thermal Current at 40 °C	[A]	10
Tips Material		Silver Alloy (Optional: Golden Plated)
Minimum Let-through Current at 24 - 72 - 110 VDC <sup>5</sup>	[mA]	20(10) - 15(7.5) - 10(5) <sup>5</sup>
Electrical Connections		AMP 178803-7 16 PINS

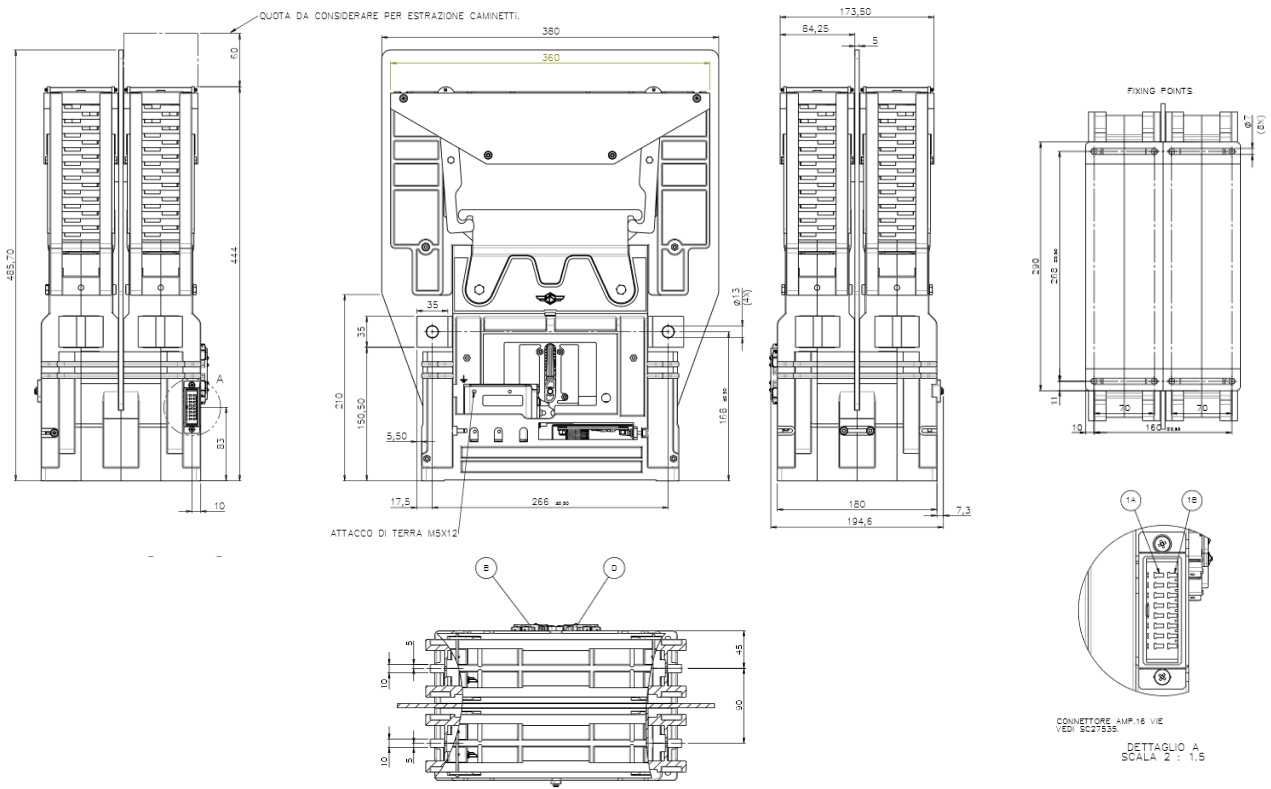
### Environmental Conditions

Stock Temperature Range	[°C]	-50 ÷ +85
Operational Temperature Range up to 1000m	[°C]	Tx (-40 ÷ +75) <sup>6</sup>
Operational Temperature Range up to 2000m	[°C]	T2 (-40 ÷ +65) <sup>6</sup>
Max Altitude without Performance Derating	[m]	2000
Humidity	[m]	10 ÷ 95% RH <sup>7</sup>

<sup>5</sup> Reference Standard IEC 60947-5-4. Tested in a DRY and CLEAN condition with an LR load. The values with golden plated tips are indicated between brackets. For different working conditions, please contact Microelettrica

<sup>6</sup> According to IEC 50125-1

<sup>7</sup> According to IEC 92498-1



The technical specifications reported are not binding and they should be agreed in the contract.

For further technical information on our products visit [www.microelettrica.com](http://www.microelettrica.com)

**Microelettrica Scientifica S.p.A.**

20090 Buccinasco (MI) , Via Lucania 2, Italy

Tel.: +39 02 575731

E-mail: [info@microelettrica.com](mailto:info@microelettrica.com)

[www.microelettrica.com](http://www.microelettrica.com)

