

SWITCHES

STANDARD FAMILY CODE LTXS 900 2NO 2kV

| | |
|------------------------------------|--------------------------------------|
| Family Type | LTXS 900 |
| Number / Type of Poles | 2 / NO |
| Mounting Position | Horizontal - Vertical ¹ |
| Control Voltage Rating Uc (DC) [V] | 24 - 36 - 48 - 72 - 110 ¹ |
| Auxiliary Contact Blocks | 2 x (1 NO + 1 NC) |
| Block Type | PBX |
| Arc-chute Material | Ceramic |
| Main Contacts Tips Material | S6 |
| Arcing Contacts Tips Material | - |
| Electric Diagram | SC27599 |
| Layout Drawing | D53815 |

¹ To be specified in order phase.



MICROELETTRICA

Description

Contactors with single interruption in air, electromagnetic control by booster power save system. Single state functioning. Reference standard IEC 60077, IEC 60947 and IEC 61992.

Aux contacts available in all feasible position (a0, b0 and a1, b1).

| Insulation Characteristics of single pole | | |
|---|------|-------------------------------------|
| Rated Operational Voltage (AC / DC) | [V] | 1800 |
| Max Operational Voltage (AC / DC) | [V] | 2000 |
| Rated Insulation Voltage OV4/PD3A | [V] | 3700 |
| Rated Insulation Voltage OV3/PD3 | [V] | 4800 |
| Rated Impulse Voltage | [kV] | 30 |
| Rated Power Frequency Withstand Voltage (50 Hz for 60 s) | | |
| Between HV to LV Circuit + Earth | [V] | 11600 |
| Between Open Contacts | [V] | 9200 |
| Between Each Pole (if more than 1) | [V] | 11600 |
| Between LV Circuit and Earth | [V] | 1500 |
| Minimum Clearance Distance between Open Contacts | [mm] | 65 |
| Minimum Clearance Distance between Power Circuit to Earth | [mm] | 40 |
| Minimum Creepage Distance between Power Circuit to Earth | [mm] | 80 |
| Comparative Tracking Index (CTI) (IEC 60112) | [V] | 600 |
| Electrical Characteristics | | |
| Conventional Free Air Thermal Current at 40 °C ² | [A] | 1050 |
| Conventional Free Air Thermal Current at 75 °C ² | [A] | 900 |
| DC - Rated Operational Current (τ = 15 ms) | | |
| 3600 V | [A] | 1000 |
| DC - Maximum Breaking Capacity (τ = 15 ms) | | |
| 3600 V | [A] | 1800 |
| AC - Maximum Breaking Capacity (cosφ = 0,8; 50 Hz) | | |
| 3600 V | [A] | 2000 |
| Component Category / Operational Frequency Class | | A2 / C2 |
| Rated Short Time Withstand Current | [kA] | 12/10 (for 50/100 ms) |
| Critical Current Range | [A] | None ³ |
| Fault Making Capacity | [kA] | 12 |
| Blow Out Circuit Type | | Indirect Coil with permanent magnet |

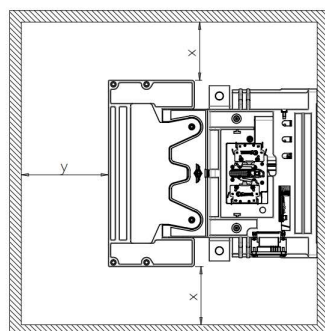
² Device cabled according IEC60947

³ Tested according to IEC60077:2017

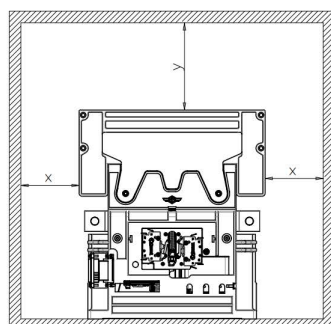
⁴ Other mounting positions not allowed, reduced distances should be approved by Microelettrica

Minimum clearances [mm] from:

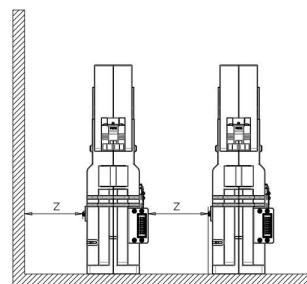
| Rated Operational Voltage | | X | Y | Z |
|---------------------------|---------------|----|-----|----|
| 1800 V | Metal Parts | 50 | 120 | 40 |
| | Plastic Parts | 30 | 50 | 30 |



VERTICAL MOUNTING ⁴



HORIZONTAL MOUNTING ⁴



Mechanical Characteristics

| | | |
|----------------------------------|----------|---------------------|
| Mechanical Endurance | [cycles] | 5 x 10 ⁵ |
| Shock and Vibrations (IEC 61373) | | Cat.1 - Class B |
| Weight | [kg] | 22 |

Control Circuit

| | | |
|---|------|--|
| Control Voltage Range | [V] | 0.7U _c ÷ 1.25U _c |
| Power Consumption (U _c and T = 20 °C) at Pick Up - when Holding | [W] | 315 - 20 |
| Mechanical Operation Time (U _c and T = 20 °C) when Closing - Opening | [ms] | 300 - 40 |
| Time Constant (L/R) at Pick Up - when Holding | [ms] | 100 - 100 |
| Electrical Connections | | AMP 178803-7 16 PINS |

Auxiliary Contact

| | | |
|---|------|---|
| Rated Operational Voltage (AC / DC) | [V] | 250 |
| Conventional Free Air Thermal Current at 40 °C | [A] | 10 |
| Tips Material | | Silver Alloy (Optional: Golden Plated) |
| Minimum Let-through Current at 24 - 72 - 110 VDC ⁵ | [mA] | 20(10) - 15(7.5) - 10(5) ⁵ |
| Electrical Connections | | AMP 178803-7 16 PINS |

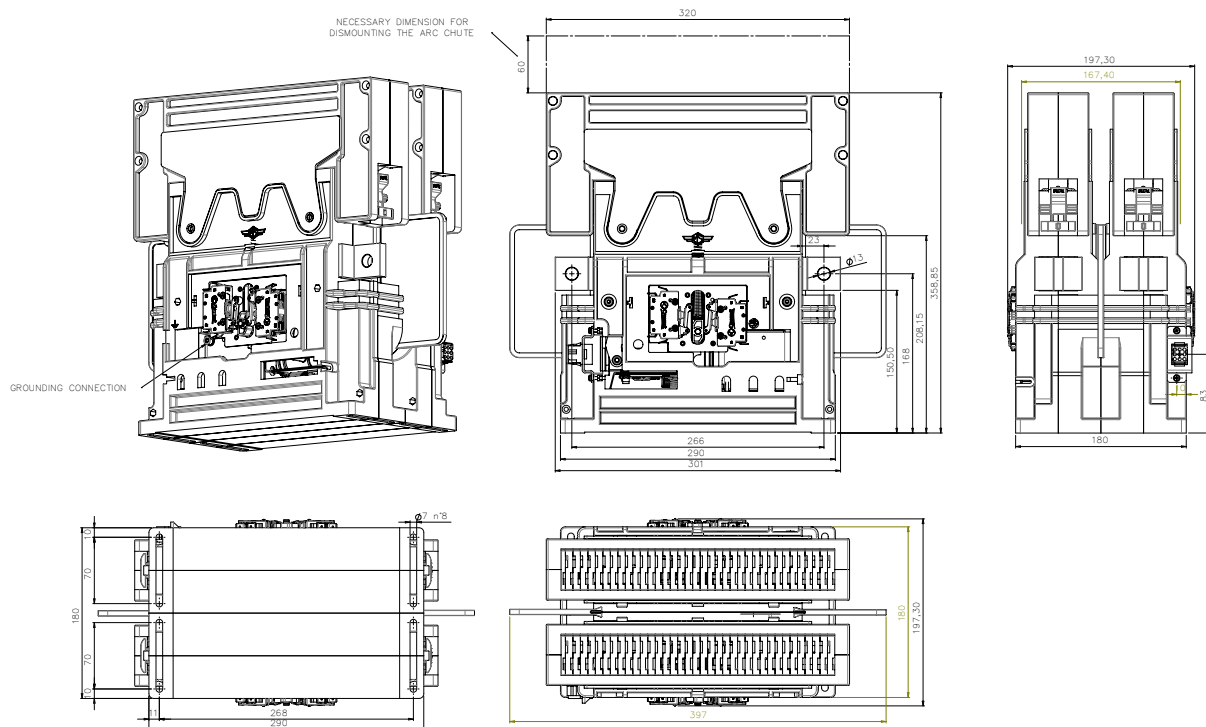
Environmental Conditions

| | | |
|---|------|-----------------------------|
| Stock Temperature Range | [°C] | -50 ÷ +85 |
| Operational Temperature Range up to 1000m | [°C] | Tx (-40 ÷ +75) ⁶ |
| Operational Temperature Range up to 2000m | [°C] | T2 (-40 ÷ +65) ⁶ |
| Max Altitude without Performance Derating | [m] | 2000 |
| Humidity | [m] | 10 ÷ 95% RH ⁷ |

⁵ Reference Standard IEC 60947-5-4. Tested in a DRY and CLEAN condition with an LR load. The values with golden plated tips are indicated between brackets. For different working conditions, please contact Microelettrica

⁶ According to IEC 50125-1

⁷ According to IEC 92498-1



The technical specifications reported are not binding and they should be agreed in the contract.

For further technical information on our products visit www.microelettrica.com

Microelettrica Scientifica S.p.A.

20090 Buccinasco (MI) , Via Lucania 2, Italy

Tel.: +39 02 575731

E-mail: info@microelettrica.com

www.microelettrica.com



 **KNORR-BREMSE**

 **NEW YORK AIR BRAKE**

 **IFE**

 **MERAK**

 **MICROELETTRICA**

 **SELECTRON**

 **EVAC**

 **ZELISKO**

 **RAILSERVICES**