

SWITCHES

STANDARD FAMILY CODE LTMP10002XA00

Type	LTMP 1000
Number of Poles	2NO
Mounting Position	Horizontal - Vertical ¹
Control Voltage Rating [V ^{dc}]	24
Auxiliary Contact Blocks	2 CO for each pole
Block Type	V3
Contact Material	Cu
Electric Diagram	SC27221
Layout Drawing	D54949

¹ To be specified in order phase.



MICROELETTRICA

Description

Modular multipole-Multiposition off-load disconnecter, electric motor control without auxiliary relay, 2 position bi-stable. Reference standard IEC 60077-2, IEC 61992 and IEC 60947.

Electrical Characteristics

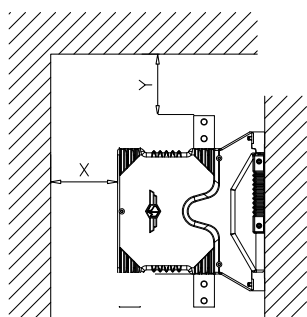
Rated Operational Voltage [V_{ac} / V_{dc}]	3600
Max Operational Voltage [V_{ac} / V_{dc}]	4000
Conventional Free Air Thermal Current [A] at 40°C ²	1200
Conventional Free Air Thermal Current [A] at 75°C ²	1000
Main circuit resistance [$\mu\Omega$] ³	50
DC-Rated Operational Current ($\tau=15ms$) [A]	0
DC-Maximum Breaking Capacity ($\tau=5ms$) [A]	0.4
AC-Maximum Breaking Capacity ($\cos\phi=0,8$) [A]	1
Short Circuit Withstand Capacity for 5ms [kA]	120
Component Category / Operational Frequency Class	A4 / C3

Insulation Characteristics

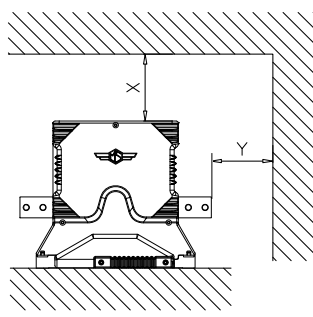
Rated Insulation Voltage [V]	4000
Pollution Degree - Overvoltage Category (EN 50124-1)	PD3/OV3
Rated impulse voltage [kV]	30
Rated Power Frequency Withstand Voltage (50Hz; 60")	
Between HV circuit to Earth [V]	10000
Between HV to LV circuit [V]	10000
Between open contacts [V]	7900
Between each pole (if more than 1) [V]	7900
Between LV circuit to Earth [V]	1500
Minimum clearance distance Between open contacts [mm]	40
Minimum clearance distance between power circuit to earth [mm]	40
Minimum creepage distance	50
Comparative Tracking Index (CTI) (IEC 60112) [V]	600

² Device cabled according IEC 60947 ³ In new and clean condition for power loss calculation only

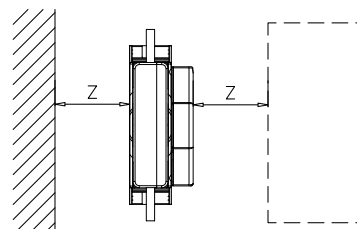
⁴ Other mounting positions not allowed, reduced distances should be approved by Microelettrica.



VERTICAL MOUNTING⁴



HORIZONTAL MOUNTING⁴



Minimum clearances [mm] from:

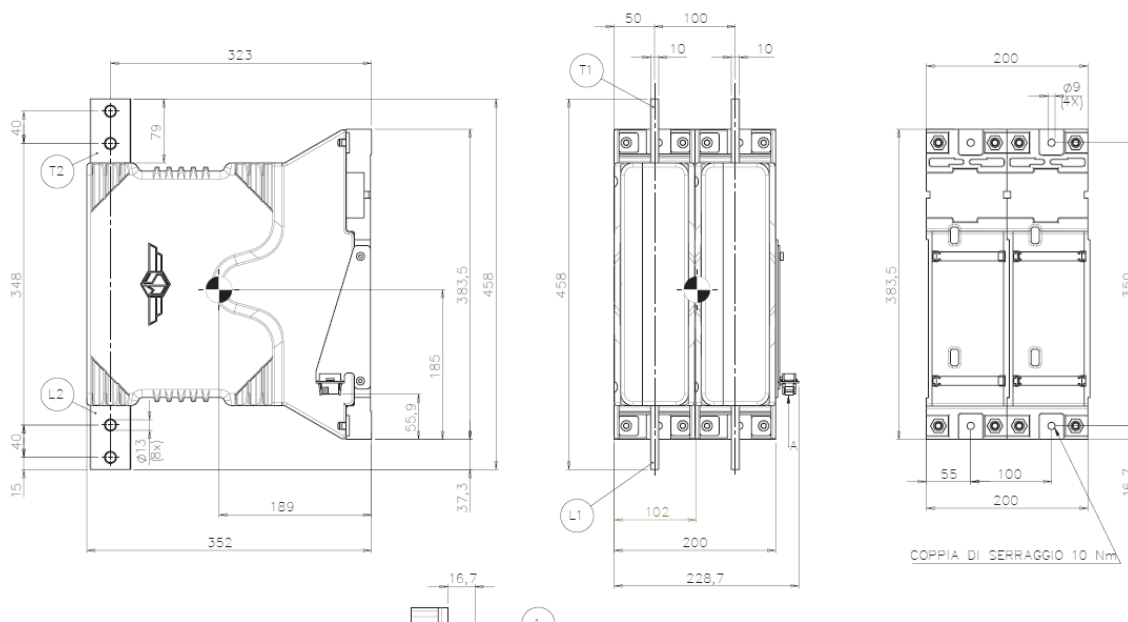
Rated Operational Voltage		X	Y	Z
4000V	Metal Parts	50	50	30
	Plastic Parts	30	30	30

Mechanical Characteristics	
Mechanical Endurance (cycles)	2.5x10 ⁵
Shock and Vibrations (IEC61373)	Cat. 1 - Class B
Weight [kg]	30
Control Circuit	
Control Voltage Range	0.7U _c ÷ 1.25U _c
Power Consumption (U _c and T = 20°C) at Pick Up - when Holding [W]	25 - 0 (for each pole)
Mechanical Operation Time (U _c and T = 20°C) when Closing - Opening [ms]	3000 - 3000
Mechanical Operation Time (in the worst condition) [ms]	6000 - 6000
Electrical Connections	Connector BURNDY - 24 pins
Auxiliary Contacts	
Rated Operational Voltage [Vac / Vdc]	250
Conventional Free Air Thermal Current [A] at 40° C	10
Tips material Rated Current [A]	Silver Alloy (Optional: Golden Plated)
Minimum Let-Through Current at 24/72/110Vdc [mA] ⁵	20(10)/15(7.5)/10(5)
Electrical Connections	Connector BURNDY - 24 pins
Environmental Conditions	
Stock Temperature Range	-50°C ÷ +85°C
Operational Temperature Range	T _x (-40°C ÷ +75°C) ⁶
Max Altitude without Performance Derating [m]	2500

⁵ Reference standard IEC 60947-5-4. Tested in a DRY and CLEAN condition with an LR load.

For different working conditions, please contact Microelettrica.

⁶ According to IEC50125-1



The technical specifications reported are not binding and they should be agreed in the contract.

For further technical information on our products visit www.microelettrica.com

Microelettrica Scientifica S.p.A.

20090 Buccinasco (MI), Via Lucania 2, Italy

Tel.: +39 02 575731

E-mail: info@microelettrica.com

www.microelettrica.com

