

# SWITCHES

## STANDARD FAMILY CODE LTKS0901MX000

Type	LTKS900
Number of Poles	1 NO
Mounting Position	Horizontal - Vertical <sup>1</sup>
Control Voltage Rating [V <sup>dc</sup> ]	24-110 <sup>1</sup>
Auxiliary Contact Blocks	3 (1NO+1NC) + 1CO
Block Type	Integrated
Main Contacts tips Material	Cu
Layout Drawing	D54144
Electric Diagram	SC27631

<sup>1</sup> To be specified in order phase.



**MICROELETTRICA**

## Description

One pole normally opened disconnect switch, electric motor control by electronic device, 2 positions, bi-stable. Reference standard IEC 60077-2

### Electrical Characteristics

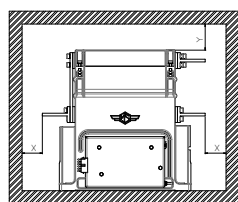
Rated Operational Voltage [ $V_{ac}$ / $V_{dc}$ ]	3600
Max Operational Voltage [ $V_{ac}$ / $V_{dc}$ ]	4200
Conventional Free Air Thermal Current [A] at 40°C <sup>2</sup>	1050
Conventional Free Air Thermal Current [A] at 75°C <sup>2</sup>	900
Main circuit resistance [ $\mu\Omega$ ] <sup>3</sup>	<80
DC-Rated Operational Current ( $\tau=15ms$ ) [A]	0
DC-Maximum Breaking Capacity ( $\tau=5ms$ ) [A]	0.2
AC-Maximum Breaking Capacity ( $\cos\phi=0,8$ ) [A]	0.5
Short Circuit Withstand Capacity for 100ms [kA]	60
Fault Making Capacity @ 100V ( $\tau=0ms$ ) [A]	50
Component Category / Operational Frequency Class	A4 / C3

### Insulation Characteristics

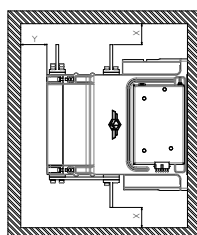
Rated Insulation Voltage @ OV4/PD3A [V]	3700
Rated Insulation Voltage @ OV3/PD3 [V]	4800
Rated impulse voltage [kV]	30
Rated Power Frequency Withstand Voltage (50Hz; 60")	
Between HV circuit and LV circuit+Earth [V]	11600
Between open contacts [V]	9200
Between each pole (if more than 1) [V]	11600
Between LV circuit and Earth [V]	1500
Minimum clearance distance between open contacts [mm]	80
Minimum clearance distance between HV circuit and LV circuit+earth [mm]	40
Minimum creepage distance [mm]	80
Comparative Tracking Index (CTI) (IEC 60112) [V]	600

<sup>2</sup> Device cabled according IEC 60947    <sup>3</sup> In new and clean condition for power loss calculation only

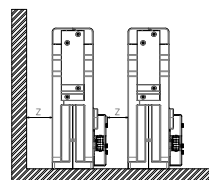
<sup>4</sup> Other mounting positions not allowed



HORIZONTAL MOUNTING<sup>4</sup>



VERTICAL MOUNTING<sup>4</sup>



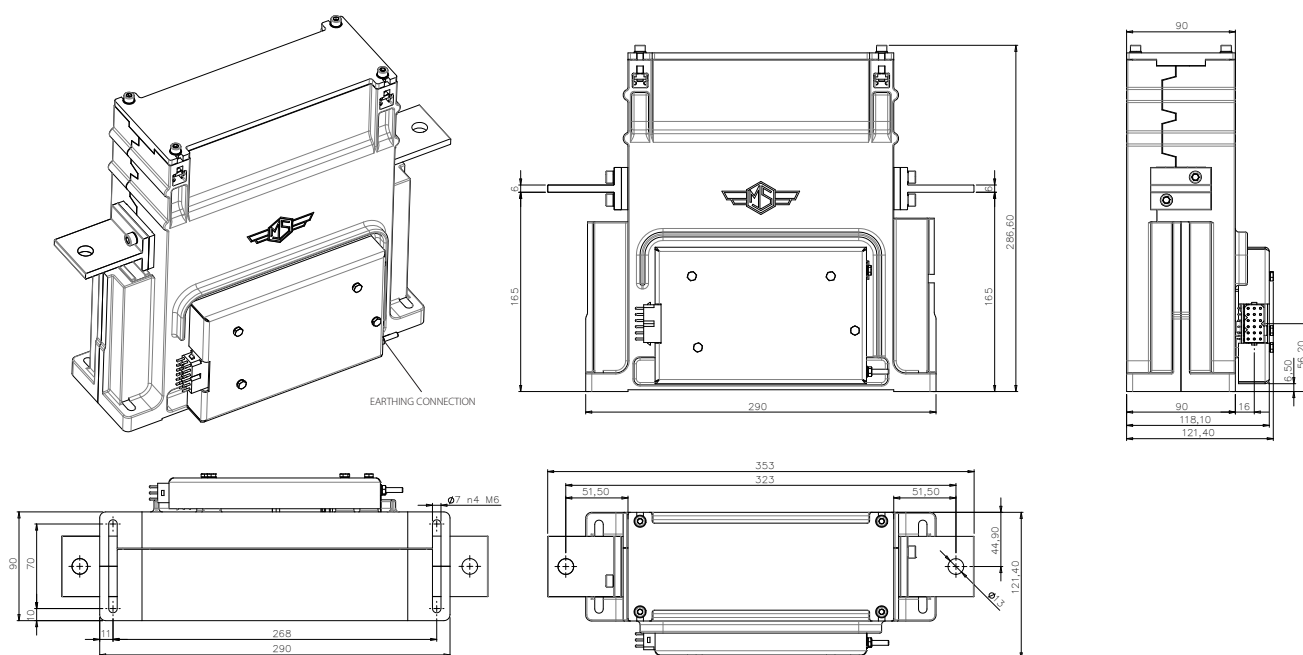
### Minimum clearances [mm] from:

Rated Operational Voltage		X	Y	Z
3600V	Metal Parts	50	50	30
	Plastic Parts	30	30	30

Mechanical Characteristics	
Mechanical Endurance (cycles)	2.5x10 <sup>5</sup>
Shock and Vibrations (IEC61373)	Cat. 1 - Class B
Weight [kg]	11
Control Circuit	
Control Voltage Range	0.7U <sub>c</sub> ÷ 1.25U <sub>c</sub>
Power Consumption (U <sub>c</sub> and T = 20°C) at Pick up - when operating - at Holding [W]	100 - 30 - 0
Mechanical Operation Time (U <sub>c</sub> and T = 20°C) when Closing - Opening [ms]	3000 - 3000
Mechanical Operation Time (in the worst condition) [ms]	4000 - 4000
Electrical Connections	Low voltage connector SMS 18GE63
Auxiliary Contacts	
Tips material	Silver Alloy
Rated Operational voltage [V <sub>ac</sub> / V <sub>dc</sub> ]	250
Rated Current [A]	5
Environmental Conditions	
Stock Temperature Range	-50°C ÷ +85°C
Operational Temperature Range up to 1000m	Tx (-40°C ÷ +75°C) <sup>5</sup>
Operational Temperature Range up to 2000m	T2 (-40°C ÷ +65°C) <sup>5</sup>
Humidity	10 ÷ 95% RH <sup>6</sup>

<sup>5</sup> According to IEC50125-1

<sup>6</sup> According to IEC 62498-1



The technical specifications reported are not binding and they should be agreed in the contract.

**For further technical information on our products visit [www.microelettrica.com](http://www.microelettrica.com)**

**Microelettrica Scientifica S.p.A.**

20090 Buccinasco (MI) , Via Lucania 2, Italy

Tel.: +39 02 575731

E-mail: [info@microelettrica.com](mailto:info@microelettrica.com)

[www.microelettrica.com](http://www.microelettrica.com)



**KNORR-BREMSE**

**NEW YORK AIR BRAKE**

**IFE**

**MERAK**

**MICROELETTRICA**

**SELECTRON**

**EVAC**

**ZELISKO**

**RAILSERVICES**