

SWITCHES

STANDARD FAMILY CODE LTHH02501DAB0

Family Type	LTHH 250
Number / Type of Poles	1 / NO
Mounting Position	Horizontal - Vertical ¹
Control Voltage Rating Uc (DC) [V]	24 - 36 - 48 - 72 - 110 ¹
Auxiliary Contact Blocks	2 x (1 NO + 1 NC)
Block Type	PBX
Arc-chute Material	Ceramic
Main Contacts Tips Material	S6
Arcing Contacts Tips Material	S6
Electric Diagram	-
Layout Drawing	D53708

¹ To be specified in order phase.



MICROELETTRICA

Description

Contactors with single interruption in air, electromagnetic control by full power coil. Single state functioning. Reference Standards IEC 60077, IEC 61992 and IEC 60947.

Insulation Characteristics		
Rated Operational Voltage (AC / DC)	[V]	3600 / 1800 / 900
Max Operational Voltage (AC / DC)	[V]	4000
Rated Insulation Voltage	[V]	4000
Rated Impulse Voltage	[kV]	30
Rated Power Frequency Withstand Voltage (50 Hz for 60 s)		
Between HV to LV Circuit + Earth	[V]	10000
Between Open Contacts	[V]	7900
Between Each Pole (if more than 1)	[V]	-
Between LV Circuit and Earth	[V]	1500
Minimum Clearance Distance between Open Contacts	[mm]	27
Minimum Clearance Distance between Power Circuit to Earth	[mm]	40
Minimum Creepage Distance between Power Circuit to Earth	[mm]	50
Comparative Tracking Index (CTI) (IEC 60112)	[V]	600
Electrical Characteristics		
Conventional Free Air Thermal Current at 40 °C ²	[A]	300
Conventional Free Air Thermal Current at 75 °C ²	[A]	250
DC - Rated Operational Current ($\tau = 15$ ms)		
3600 V	[A]	270
1800 V	[A]	450
900 V	[A]	900
DC - Maximum Breaking Capacity ($\tau = 5$ ms)		
3600 V	[A]	600
1800 V	[A]	820
900 V	[A]	1500
AC - Maximum Breaking Capacity ($\cos\phi = 0,8$; 50 Hz)		
3600 V	[A]	600
1800 V	[A]	820
900 V	[A]	1500
Component Category / Operational Frequency Class		A2 / C3
Rated Short Time Withstand Current	[kA]	6 (for 5 ms) Up to 35kA without damaging surrounding components
Critical Current Range	[A]	None
Fault Making Capacity	[kA]	3.6
Blow Out Circuit Type		Indirect Coil with Arcing Contact

² Device cabled according IEC 60947

³ Other mounting positions not allowed, reduced distances should be approved by Microelettrica

The technical specifications reported are not binding and they should be agreed in the contract.

Minimum clearances [mm] from:

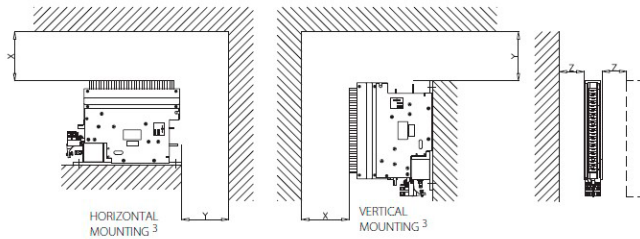
Rated Operational Voltage		X	Y	Z
3600 V	Metal Parts	200	80	50
	Plastic Parts	100	50	30

Minimum clearances [mm] from:

Rated Operational Voltage		X	Y	Z
1800 V	Metal Parts	120	120	50
	Plastic Parts	50	50	20

Minimum clearances [mm] from:

Rated Operational Voltage		X	Y	Z
900 V	Metal Parts	100	100	30
	Plastic Parts	50	50	20

**GOST recognized**

Nominal Voltage (AC / DC)	[V]	750
Max Operational Voltage (AC / DC)	[V]	1000
Commutation Ability according to GOST 9219-88		
Critical Commutation Ability @ 1000Vdc (L=50mH)	[A]	10
Maximum Commutation Ability @ 1000Vdc (L=10mH)	[A]	120
Stipulated Commutation Ability @ 750Vdc (L=10mH)	[A]	100
Shock and Vibrations (GOST 30631)		M25
Minimum environment air working temperature according to GOST 9219-88	[°C]	-60
Minimum Insulance Resistance (NCC/Heat-resistance/humidity)	[MOhm]	100 / 10 / 0.5

Mechanical Characteristics

Mechanical Endurance	[cycles]	2 x 10 ⁶
Shock and Vibrations (IEC 61373)		Cat.1 - Class B
Weight	[kg]	8.5

Control Circuit

Control Voltage Range	[V]	0.7Uc ÷ 1.25Uc
Power Consumption (Uc and T = 20 °C) at Pick Up - when Holding	[W]	35 - 35
Mechanical Operation Time (Uc and T = 20 °C) when Closing - Opening	[ms]	100 - 25
Time Constant (L/R) at Pick Up - when Holding	[ms]	30 - 80
Electrical Connections		Fast-on 6.35 x 0.8 mm

Auxiliary Contact

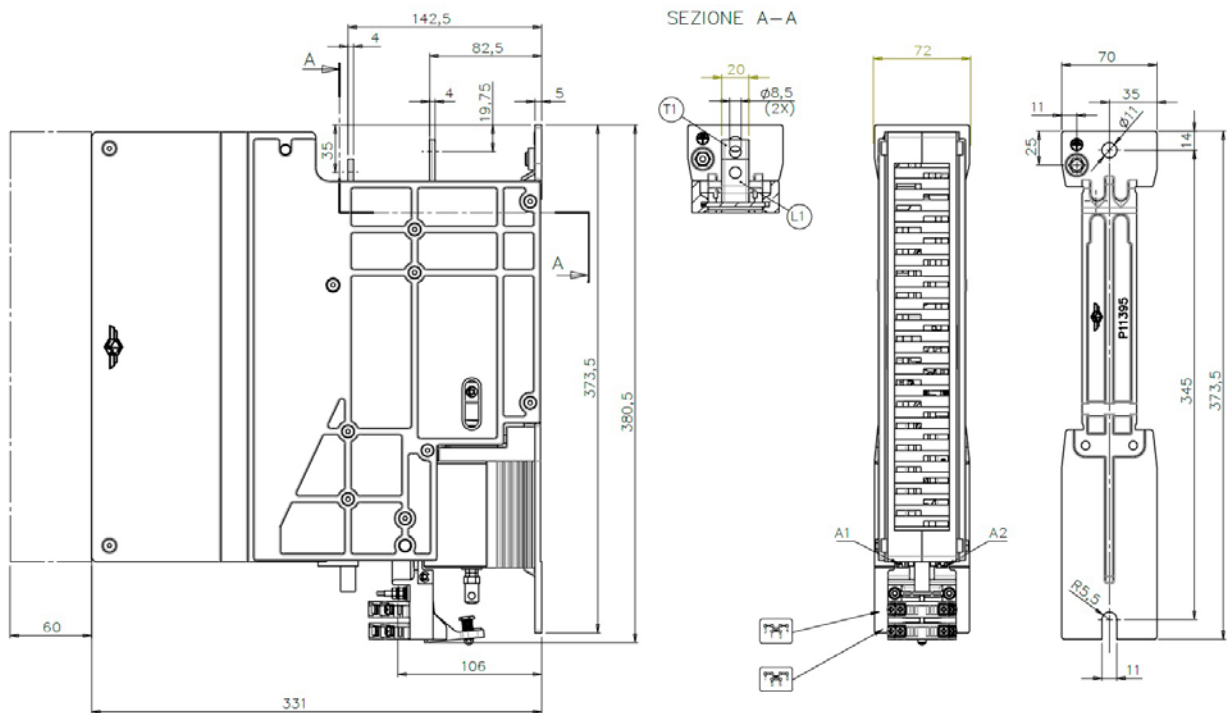
Rated Operational Voltage (AC / DC)	[V]	250
Conventional Free Air Thermal Current at 40 °C	[A]	10
Tips Material		Silver Alloy (Optional: Golden Plated)
Minimum Let-through Current at 24 - 72 - 110 VDC ⁴	[mA]	20(10) - 15(7.5) - 10(5) ⁴
Electrical Connections		Fast-on 6.35 x 0.8 mm

Environmental Conditions

Stock Temperature Range	[°C]	-50 ÷ +85
Operational Temperature Range	[°C]	Tx (-40 ÷ +75) ⁵
Pollution Degree - Overvoltage Category (EN 50124-1)		PD3 - OV3
Max Altitude without Performance Derating	[m]	2000

⁴ Reference Standard IEC 60947-5-4. Tested in a DRY and CLEAN condition with an LR load. The values with golden plated tips are indicated between brackets. For different working conditions, please contact Microelettrica

⁵ According to IEC 50125-1



The technical specifications reported are not binding and they should be agreed in the contract.

For further technical information on our products visit www.microelettrica.com

Microelettrica Scientifica S.p.A.

20090 Buccinasco (MI) , Via Lucania 2, Italy

Tel.: +39 02 575731

E-mail: info@microelettrica.com

www.microelettrica.com



 **KNORR-BREMSE**

 **NEW YORK AIR BRAKE**

 **IFE**

 **MERAK**

 **MICROELETTRICA**

 **SELECTRON**

 **EVAC**

 **ZELISKO**

 **RAILSERVICES**