

SWITCHES

STANDARD FAMILY CODE LPC1000D548680

Type	LPC 1000
Number of Poles	1 NO
Mounting Position	Horizontal - Vertical ¹
Control Voltage Rating [V ^{dc}]	24 - 36 - 48 - 72 - 110 ¹
Auxiliary Contact Blocks LTCH 1000	2 x (1 NO + 1 NC)
Auxiliary Contact Blocks LTCS 150	2 x 1 CO
Block Type	PBX
Arc chute Material LTCH 1000	Ceramic
Arc chute Material LTCS 150	Plastic
Contact tips material LTCH 1000	S6
Contact tips material LTCS 150	Cu
Electric Diagram	SC27404
Layout Drawing	D54868

¹ To be specified in order phase.

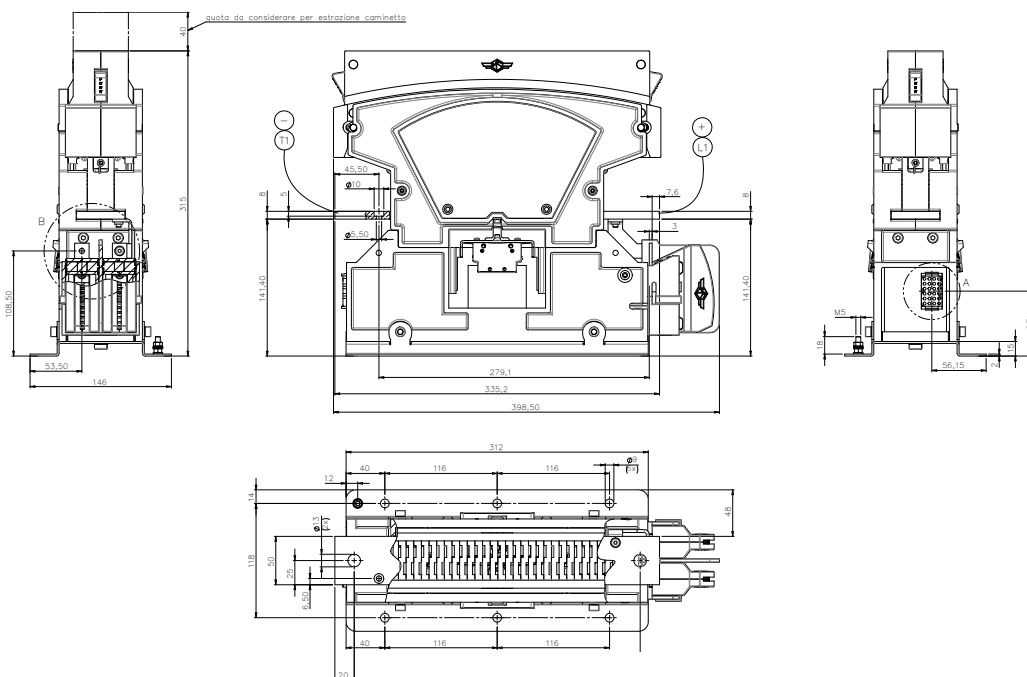


MICROELETTRICA

Mechanical Characteristics		
Mechanical Endurance (cycles)	2x10 ⁶	
Shock and Vibrations (IEC61373)	Cat.1 - Class B	
Weight [kg]	13	
Control Circuit	LTCH1000	LTCS150 2 Poles
Control Voltage Range	0.7U _c ÷ 1.25U _c	0.7U _c ÷ 1.25U _c
Power Consumption (U _c and T = 20°C) at Pick Up - when Holding [W]	300 - 10	50 - 50
Mechanical Operation Time (U _c and T = 20°C) when Closing - Opening [ms]	150 - 40	60 - 50
Time Constant (L/R) at Pick Up - when Holding [ms]	5 - 5	5 - 30
Electrical Connections	AMP Connector	
Auxiliary Contacts	LTCH1000	LTCS150 2 Poles
Tips material	Silver Alloy (Optional: Golden Plated)	AgNi
Rated Operational Voltage [V _{ac} / V _{dc}]	250	250
Rated Current [A]	10	10
Minimum Switching Current at 16V _{dc} [mA] ⁴	20(10)/15(7.5)/10(5)	100
Electrical Connections	AMP Connector	
Environmental Conditions		
Stock Temperature Range	-50°C ÷ +85°C	
Operational Temperature Range	Tx (-40°C ÷ +75°C) ⁵	
Pollution Degree - Overvoltage Category (EN 50124-1)	PD3 - OV3	
Max Altitude without Performance Derating [m]	2000	

⁴ In clean and dry conditions

⁵ In according to IEC50125-1



The technical specifications reported are not binding and they should be agreed in the contract.

For further technical information on our products visit www.microelettrica.com

Microelettrica Scientifica S.p.A.

20090 Buccinasco (MI) , Via Lucania 2, Italy

Tel.: +39 02 575731

E-mail: info@microelettrica.com

www.microelettrica.com



KNORR-BREMSE

NEW YORK AIR BRAKE

IFE

MERAK

MICROELETTRICA

SELECTRON

KIEPE ELECTRIC

EVAC

ZELISKO

RAILSERVICES